

Marina picnic

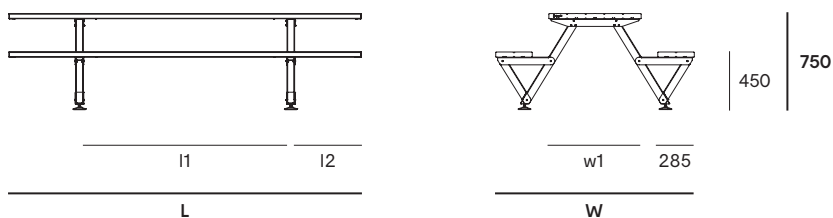
© design by Metrica

extremis®



Dimensions

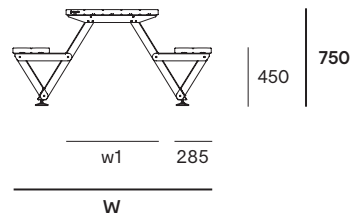
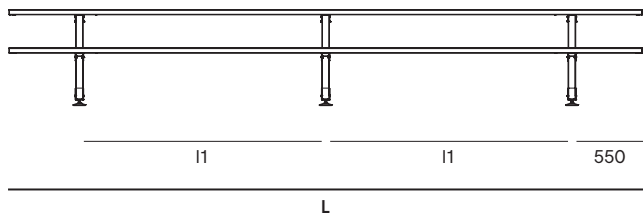
The Marina picnic with two legs is available in 4 lengths and 2 widths



Dimensions (mm)	L	W 5 prof	W 6 prof	l1	l2	w1 5 prof	w1 6 prof
Marina picnic 165	1650	1540	1700	1100	275	720	870
Marina picnic 220	2200	1540	1700	1100	550	720	870
Marina picnic 275	2750	1540	1700	1650	550	720	870
Marina picnic 330	3300	1540	1700	2200	550	720	870

Dimensions

The Marina picnic with three, four, five & six legs are available in 4 lengths and 2 widths



Dimensions (mm)	L	W 5 prof	W 6 prof	l1	w1 5 prof	w1 6 prof	# legs
Marina picnic 385	3850	1540	1700	1375	720	870	3
Marina picnic 440	4400	1540	1700	1650	720	870	3
Marina picnic 495	4950	1540	1700	1925	720	870	3
Marina picnic 550	5500	1540	1700	2200	720	870	3
Marina picnic 605	6050	1540	1700	1650	720	870	4
Marina picnic 660	6600	1540	1700	1375	720	870	4
Marina picnic 715	7150	1540	1700	2015	720	870	4
Marina picnic 770	7700	1540	1700	1650	720	870	4
Marina picnic 825	8250	1540	1700	1430	720	870	5
Marina picnic 880	8800	1540	1700	1540	720	870	5
Marina picnic 935	9350	1540	1700	1650	720	870	5
Marina picnic 990	9900	1540	1700	1760	720	870	5
Marina picnic 1045	10450	1540	1700	1870	720	870	6
Marina picnic 1100	11000	1540	1700	1650	720	870	6
Marina picnic 1155	11550	1540	1700	2090	720	870	6
Marina picnic 1210	12100	1540	1700	2200	720	870	6

Box dimensions - Marina picnic 2 legs

The Marina picnic comes in 3 or 4 boxes

Box 1: 3 profiles



Box 2: 2 profiles



Box 3: Set picnic legs + mounting kit



Box 4: Endcaps (+ reinforcement profile) + mounting kit



Box dimensions (mm)		L	W	H	Qty	Volume (m ³)	Gross weight (kg)	Net weight (kg)	Packaging weight (kg)	
Marina picnic 165	Box 1	1730	140	120	3	0,09	44,10	40,65	3,45	
	Tabletop width 720 mm	Box 3	870	218	75	2	0,03	33,20	31,60	1,60
		Box 4	870	145	75	1	0,01	3,10	2,70	0,40
					Total:	0,13	80,40	74,95	5,45	
Marina picnic 165	Box 1	1730	140	120	2	0,06	29,40	27,10	2,30	
	Tabletop width 870 mm	Box 2	1730	140	80	2	0,04	19,40	17,80	1,60
		Box 3	870	218	75	2	0,03	34,40	32,80	1,60
		Box 4	870	145	75	1	0,01	3,82	3,42	0,40
					Total:	0,14	87,02	81,12	5,90	
Marina picnic 220	Box 1	2280	140	120	3	0,11	58,20	53,40	4,80	
	Tabletop width 720 mm	Box 3	870	218	75	2	0,03	33,20	31,60	1,60
		Box 4	870	145	75	1	0,01	3,10	2,70	0,40
					Total:	0,15	94,50	87,70	6,80	
Marina picnic 220	Box 1	2280	140	120	2	0,08	38,80	35,60	3,20	
	Tabletop width 870 mm	Box 2	2280	140	80	2	0,03	25,80	23,60	2,20
		Box 3	870	218	75	2	0,03	34,40	32,80	1,60
		Box 4	870	145	75	1	0,01	3,82	3,42	0,40
					Total:	0,15	102,82	95,42	7,40	
Marina picnic 275	Box 1	2830	140	120	3	0,14	72,90	66,60	6,30	
	Tabletop width 720 mm	Box 3	870	218	75	2	0,03	33,20	31,60	1,60
		Box 4	870	145	75	1	0,01	3,10	2,70	0,40
					Total:	0,18	109,20	100,90	8,30	
Marina picnic 275	Box 1	2830	140	120	2	0,10	48,60	44,40	4,20	
	Tabletop width 870 mm	Box 2	2830	140	80	2	0,06	32,20	29,60	2,60
		Box 3	870	218	75	2	0,03	34,40	32,80	1,60
		Box 4	870	145	75	1	0,01	3,82	3,42	0,40
					Total:	0,20	119,02	10,22	8,80	
Marina picnic 330	Box 1	3380	140	120	3	0,17	87,30	79,80	7,50	
	Tabletop width 720 mm	Box 3	870	218	75	2	0,03	33,20	31,60	1,60
		Box 4	870	145	75	1	0,01	3,10	2,70	0,40
					Total:	0,21	123,60	114,10	9,50	
Marina picnic 330	Box 1	3380	140	120	2	0,11	58,20	53,20	5,00	
	Tabletop width 870 mm	Box 2	3380	140	80	2	0,08	38,80	35,60	3,20
		Box 3	870	218	75	2	0,03	34,40	32,80	1,60
		Box 4	870	145	75	1	0,01	3,82	3,42	0,40
					Total:	0,23	135,22	125,02	10,20	

Box dimensions - Marina picnic 3 legs

The Marina picnic comes in 3 or 4 boxes

Box 1: 3 profiles



Box 2: 2 profiles



Box 3: Set picnic legs + mounting kit



Box 4: Endcaps (+ reinforcement profile) + mounting kit



Box dimensions (mm)		L	W	H	Qty	Volume (m ³)	Gross weight (kg)	Net weight (kg)	Packaging weight (kg)
Marina picnic 385	Box 1	3930	140	120	3	0,20	102,00	93,30	8,70
Tabletop width 720 mm	Box 3	870	218	75	3	0,03	49,80	47,40	2,40
	Box 4	870	145	75	1	0,01	3,10	2,70	0,40
	Total:				0,24	154,90	143,40	11,50	
Marina picnic 385	Box 1	3930	140	120	2	0,13	68,00	62,20	5,80
Tabletop width 870 mm	Box 2	3930	140	80	2	0,04	45,20	41,40	3,80
	Box 3	870	218	75	3	0,04	51,60	49,20	2,40
	Box 4	870	145	75	1	0,01	3,82	3,42	0,40
	Total:				0,22	168,62	156,22	12,40	
Marina picnic 440	Box 1	4480	140	120	3	0,23	116,40	106,50	9,90
Tabletop width 720 mm	Box 3	870	218	75	3	0,03	49,80	47,40	2,40
	Box 4	870	145	75	1	0,01	3,10	2,70	0,40
	Total:				0,27	169,30	156,60	12,70	
Marina picnic 440	Box 1	4480	140	120	2	0,15	77,60	71,00	6,60
Tabletop width 870 mm	Box 2	4480	140	80	2	0,10	51,60	47,40	4,20
	Box 3	870	218	75	3	0,04	51,60	49,20	2,40
	Box 4	870	145	75	1	0,01	3,82	3,42	0,40
	Total:				0,30	184,62	171,02	13,60	
Marina picnic 495	Box 1	5030	140	120	3	0,25	131,10	120,00	11,10
Tabletop width 720 mm	Box 3	870	218	75	3	0,03	49,80	47,40	2,40
	Box 4	870	145	75	1	0,01	3,10	2,70	0,40
	Total:				0,29	184,00	170,10	13,90	
Marina picnic 495	Box 1	5030	140	120	2	0,17	87,40	80,00	7,40
Tabletop width 870 mm	Box 2	5030	140	80	2	0,11	58,00	53,20	4,80
	Box 3	870	218	75	3	0,04	51,60	49,20	2,40
	Box 4	870	145	75	1	0,01	3,82	3,42	0,40
	Total:				0,32	200,82	185,82	15,00	
Marina picnic 550	Box 1	5580	140	120	3	0,28	145,50	133,20	12,30
Tabletop width 720 mm	Box 3	870	218	75	3	0,03	49,80	47,40	2,40
	Box 4	870	145	75	1	0,01	3,10	2,70	0,40
	Total:				0,33	198,40	183,30	15,10	
Marina picnic 550	Box 1	5580	140	120	2	0,18	97,00	88,80	8,20
Tabletop width 870 mm	Box 2	5580	140	120	2	0,12	64,60	59,20	5,40
	Box 3	870	218	75	3	0,04	51,60	49,20	2,40
	Box 4	870	145	75	1	0,01	3,82	3,42	0,40
	Total:				0,35	217,02	200,62	16,40	

Box dimensions - Marina picnic 4 legs

The Marina picnic comes in 3 or 4 boxes

Box 1: 3 profiles



Box 2: 2 profiles



Box 3: Set picnic legs + mounting kit



Box 4: Endcaps (+ reinforcement profile) + mounting kit

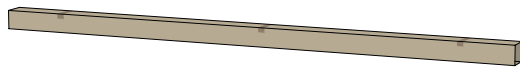


Box dimensions (mm)		L	W	H	Qty	Volume (m ³)	Gross weight (kg)	Net weight (kg)	Packaging weight (kg)	
Marina picnic 605	Box 1	6130	140	120	3	0,31	160,20	146,40	13,80	
	Tabletop width 720 mm	Box 3	870	218	75	4	0,06	66,40	63,20	3,20
		Box 4	870	145	75	1	0,01	3,10	2,70	0,40
Total:						0,38	229,70	212,30	17,40	
Marina picnic 605	Box 1	6130	140	120	2	0,21	106,60	97,60	9,00	
	Tabletop width 870 mm	Box 2	6130	140	80	2	0,14	71,00	65,20	5,80
		Box 3	870	218	75	4	0,06	68,80	65,60	3,20
		Box 4	870	145	75	1	0,01	3,82	3,42	0,40
Total:						0,42	250,22	231,82	18,40	
Marina picnic 660	Box 1	6680	140	120	3	0,34	174,60	159,90	14,70	
	Tabletop width 720 mm	Box 3	870	218	75	4	0,06	66,40	63,20	3,20
		Box 4	870	145	75	1	0,01	3,10	2,70	0,40
Total:						0,41	244,10	225,80	18,30	
Marina picnic 660	Box 1	6680	140	120	2	0,22	116,40	106,60	9,80	
	Tabletop width 870 mm	Box 2	6680	140	80	2	0,15	77,40	71,00	6,40
		Box 3	870	218	75	4	0,06	68,80	65,60	3,20
		Box 4	870	145	75	1	0,01	3,82	3,42	0,40
Total:						0,44	266,42	246,62	19,80	
Marina picnic 715	Box 1	7230	140	120	3	0,36	189,30	173,10	16,20	
	Tabletop width 720 mm	Box 3	870	218	75	4	0,06	66,40	63,20	3,20
		Box 4	870	145	75	1	0,01	3,10	2,70	0,40
Total:						0,43	258,80	239,00	19,80	
Marina picnic 715	Box 1	7230	140	120	2	0,25	126,20	115,40	10,80	
	Tabletop width 870 mm	Box 2	7230	140	80	2	0,16	83,80	77,00	6,80
		Box 3	870	218	75	4	0,06	68,80	65,60	3,20
		Box 4	870	145	75	1	0,01	3,82	3,42	0,40
Total:						0,48	282,62	261,42	21,20	
Marina picnic 770	Box 1	7780	140	120	3	0,39	203,70	186,60	17,10	
	Tabletop width 720 mm	Box 3	870	218	75	4	0,06	66,40	63,20	3,20
		Box 4	870	145	75	1	0,01	3,10	2,70	0,40
Total:						0,46	273,20	252,50	20,70	
Marina picnic 770	Box 1	7780	140	120	2	0,26	135,80	124,40	11,40	
	Tabletop width 870 mm	Box 2	7780	140	80	2	0,17	90,40	82,80	7,60
		Box 3	870	218	75	4	0,06	68,80	65,60	3,20
		Box 4	870	145	75	1	0,01	3,82	3,42	0,40
Total:						0,50	298,82	276,22	22,60	

Box dimensions - Marina picnic 5 legs

The Marina picnic comes in 3 or 4 boxes

Box 1: 3 profiles



Box 2: 2 profiles



Box 3: Set picnic legs + mounting kit



Box 4: Endcaps (+ reinforcement profile) + mounting kit



Box dimensions (mm)		L	W	H	Qty	Volume (m ³)	Gross weight (kg)	Net weight (kg)	Packaging weight (kg)
Marina picnic 825	Box 1	8330	140	120	3	0,42	218,40	199,80	18,60
Tabletop width 720 mm	Box 3	870	218	75	5	0,07	83,00	79,00	4,00
	Box 4	870	145	75	1	0,01	3,10	2,70	0,40
	Total:				0,50		304,50	281,50	23,00
Marina picnic 825	Box 1	8330	140	120	2	0,28	145,60	133,20	12,40
Tabletop width 870 mm	Box 2	8330	140	80	2	0,19	96,80	88,80	8,00
	Box 3	870	218	75	5	0,07	86,00	82,00	4,00
	Box 4	870	145	75	1	0,01	3,82	3,42	0,40
	Total:				0,55		332,22	307,42	24,80
Marina picnic 880	Box 1	8880	140	120	3	0,45	232,80	213,00	19,80
Tabletop width 720 mm	Box 3	870	218	75	5	0,07	83,00	79,00	4,00
	Box 4	870	145	75	1	0,01	3,10	2,70	0,40
	Total:				0,53		318,90	294,70	24,20
Marina picnic 880	Box 1	8880	140	120	2	0,30	155,20	142,00	13,20
Tabletop width 870 mm	Box 2	8880	140	80	2	0,20	103,20	94,80	8,40
	Box 3	870	218	75	5	0,07	86,00	82,00	4,00
	Box 4	870	145	75	1	0,01	3,82	3,42	0,40
	Total:				0,58		348,22	322,22	260,20
Marina picnic 935	Box 1	9430	140	120	3	0,48	247,50	226,50	21,00
Tabletop width 720 mm	Box 3	870	218	75	5	0,07	83,00	79,00	4,00
	Box 4	870	145	75	1	0,01	3,10	2,70	0,40
	Total:				0,56		333,60	308,20	25,40
Marina picnic 935	Box 1	9430	140	120	2	0,32	165,00	151,00	14,00
Tabletop width 870 mm	Box 2	9430	140	80	2	0,21	109,60	100,60	9,00
	Box 3	870	218	75	5	0,07	86,00	82,00	4,00
	Box 4	870	145	75	1	0,01	3,82	3,42	0,40
	Total:				0,61		364,42	337,02	27,40
Marina picnic 990	Box 1	9980	140	120	3	0,50	261,90	239,70	22,20
Tabletop width 720 mm	Box 3	870	218	75	5	0,07	83,00	79,00	4,00
	Box 4	870	145	75	1	0,01	3,10	2,70	0,40
	Total:				0,58		348,00	321,40	26,60
Marina picnic 990	Box 1	9980	140	120	2	0,34	174,60	159,80	14,80
Tabletop width 870 mm	Box 2	9980	140	80	2	0,22	116,20	106,60	9,60
	Box 3	870	218	75	5	0,07	86,00	82,00	4,00
	Box 4	870	145	75	1	0,01	3,82	3,42	0,40
	Total:				0,64		380,62	351,82	28,80

Box dimensions - Marina picnic 6 legs

The Marina picnic comes in 3 or 4 boxes

Box 1: 3 profiles



Box 2: 2 profiles



Box 3: Set picnic legs + mounting kit



Box 4: Endcaps (+ reinforcement profile) + mounting kit



Box dimensions (mm)		L	W	H	Qty	Volume (m ³)	Gross weight (kg)	Net weight (kg)	Packaging weight (kg)
Marina picnic 1045	Box 1	10530	140	120	3	0,53	276,60	253,20	23,40
Tabletop width 720 mm	Box 3	870	218	75	5	0,09	99,60	94,80	4,80
	Box 4	870	145	75	1	0,01	3,10	2,70	0,40
	Total:				0,63	379,30	350,70	28,60	
Marina picnic 1045	Box 1	10530	140	120	2	0,35	184,40	168,80	15,60
Tabletop width 870 mm	Box 2	10530	140	80	2	0,24	122,60	112,40	10,20
	Box 3	870	218	75	5	0,09	103,20	98,40	4,80
	Box 4	870	145	75	1	0,01	3,82	3,42	0,40
	Total:				0,69	414,02	383,02	31,00	
Marina picnic 1100	Box 1	11080	140	120	3	0,56	291,00	266,40	24,60
Tabletop width 720 mm	Box 3	870	218	75	5	0,09	99,60	94,80	4,80
	Box 4	870	145	75	1	0,01	3,10	2,70	0,40
	Total:				0,66	393,70	363,90	29,80	
Marina picnic 1100	Box 1	11080	140	120	2	0,37	194,00	177,60	16,40
Tabletop width 870 mm	Box 2	11080	140	80	2	0,25	129,00	118,40	10,60
	Box 3	870	218	75	5	0,09	103,20	98,40	4,80
	Box 4	870	145	75	1	0,01	3,82	3,42	0,40
	Total:				0,72	430,02	397,82	32,20	
Marina picnic 1155	Box 1	11630	140	120	3	0,59	305,70	279,60	26,10
Tabletop width 720 mm	Box 3	870	218	75	5	0,09	99,60	94,80	4,80
	Box 4	870	145	75	1	0,01	3,10	2,70	0,40
	Total:				0,69	408,40	377,10	31,30	
Marina picnic 1155	Box 1	11630	140	120	2	0,39	203,80	186,40	17,40
Tabletop width 870 mm	Box 2	11630	140	80	2	0,26	135,40	124,40	11,00
	Box 3	870	218	75	5	0,09	103,20	98,40	4,80
	Box 4	870	145	75	1	0,01	3,82	3,42	0,40
	Total:				0,75	446,22	408,62	33,60	
Marina picnic 1210	Box 1	12180	140	120	3	0,61	320,10	293,10	27,00
Tabletop width 720 mm	Box 3	870	218	75	5	0,09	99,60	94,80	4,80
	Box 4	870	145	75	1	0,01	3,10	2,70	0,40
	Total:				0,71	422,80	390,60	32,20	
Marina picnic 1210	Box 1	12180	140	120	2	0,41	213,40	195,40	18,00
Tabletop width 870 mm	Box 2	12180	140	80	2	0,27	142,00	130,20	11,80
	Box 3	870	218	75	5	0,09	103,20	98,40	4,80
	Box 4	870	145	75	1	0,01	3,82	3,42	0,40
	Total:				0,87	462,	427,42	35,00	

Floor fastening

The floor fastening is available in one version

Floor fastening box

The floor fastening comes in 1 box

[Box 8: Floor fastening](#)



Box dimensions (mm)		L	W	H	Qty	Volume (m3)	Gross weight (kg)	Net weight (kg)	Packaging weight (kg)
Floor fastening	Box 8	205	145	150	1	0,01	0,30	0,23	0,07

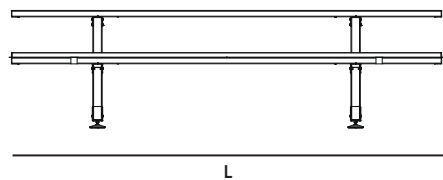
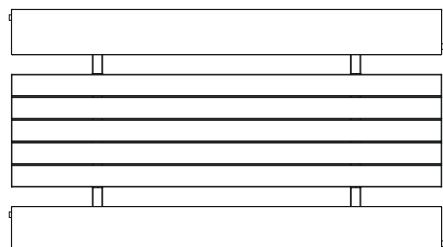
Cushion

The cushions are available in 3 lengths

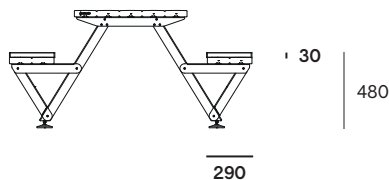
Cushion bag

The cushions come in 1 plastic bag

[Bag 1: cushion](#)



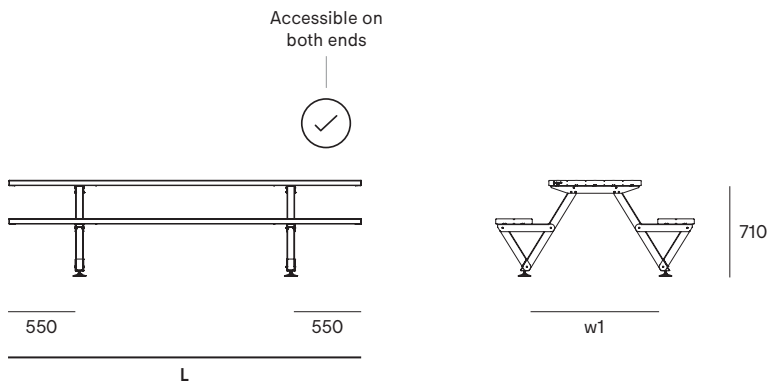
Dimensions (mm)	L
Cushion 165 cm	1650
Cushion 220 cm	2200
Cushion 275 cm	2750



Box dimensions (mm)		L	W	H	Qty	Volume (m3)	Gross weight (kg)	Net weight (kg)	Packaging weight (kg)
Cushion 165 cm	Bag 1	1650	290	30	1	0,01	2,01	2,00	0,01
Cushion 220 cm	Bag 1	2200	290	30	1	0,02	2,71	2,70	0,01
Cushion 275 cm	Bag 1	2750	290	30	1	0,02	3,41	3,40	0,01

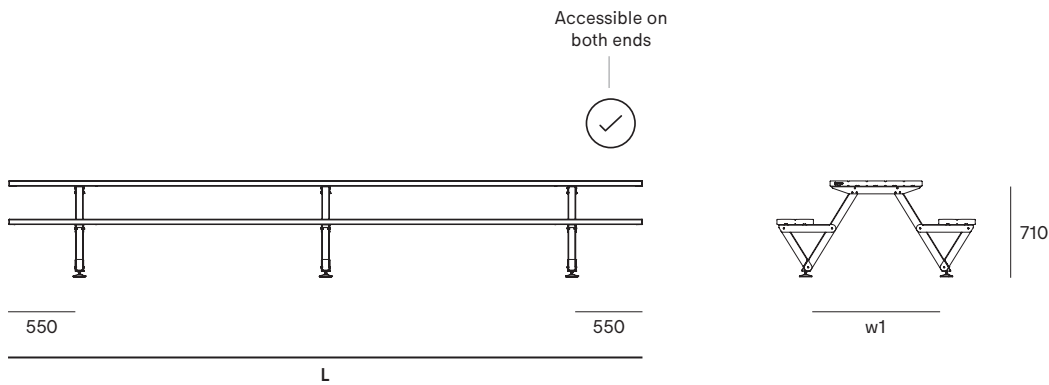
Wheelchair accessibility dimensions

The Marina picnic with two legs is wheelchair accessible
 Not possible for the 165 cm version



Dimensions (mm)	L	w1 5 prof	w1 6 prof
Marina picnic 220	2200	1000	1145
Marina picnic 275	2750	1000	1145
Marina picnic 330	3300	1000	1145

The Marina picnic with three, four, five & six legs are wheelchair accessible

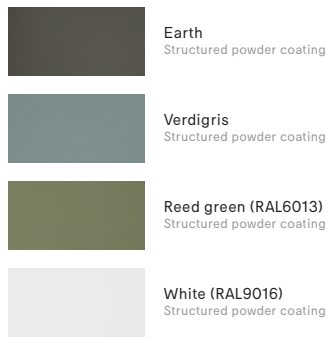


Dimensions (mm)	L	w1 5 prof	w1 6 prof
Marina picnic 385	3850	1000	1145
Marina picnic 440	4400	1000	1145
Marina picnic 495	4950	1000	1145
Marina picnic 550	5500	1000	1145
Marina picnic 605	6050	1000	1145
Marina picnic 660	6600	1000	1145
Marina picnic 715	7150	1000	1145
Marina picnic 770	7700	1000	1145
Marina picnic 825	8250	1000	1145
Marina picnic 880	8800	1000	1145
Marina picnic 935	9350	1000	1145
Marina picnic 990	9900	1000	1145
Marina picnic 1045	10450	1000	1145
Marina picnic 1100	11000	1000	1145
Marina picnic 1155	11550	1000	1145
Marina picnic 1210	12100	1000	1145

Materials & colors

Check price list or www.extremis.com for current materials & colors

Tabletop, benches legs & endcaps



Sunbrella® cushions



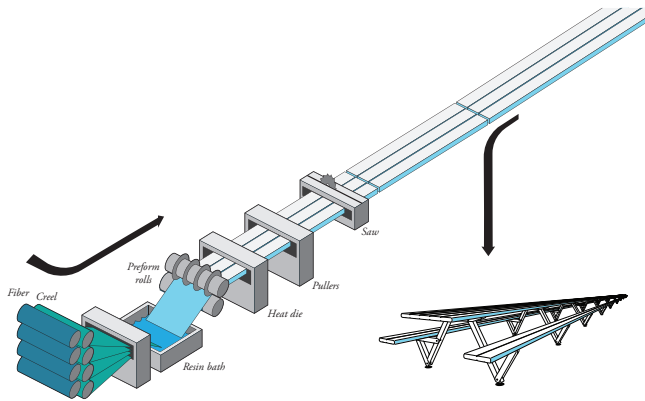
Materials	Key facts	Thickness	Layer thickness	Density	In/outdoor	Water	UV color fastness	Flame retarding
		mm	micron					
Coated fiberglass tabletop & benches	<ul style="list-style-type: none"> Made with pultrusion technique: a non-stop process of fibre glass wires pulled through a bath of polyester Strong Lightweight 	2,7	n.a.	1,80 10 ³ kg/m ³	Outdoor & indoor	n.a.	Very good: color can fade to some extent when exposed to UV	/
Structured powder coated electro galvanized steel legs	<ul style="list-style-type: none"> Easy to clean Electro galvanized (for extra protection against rust), then powder coated More scratch-resistant than non structured powder coating 	3	100	7,50 10 ³ kg/m ³	Outdoor & indoor	n.a.	Very good: color can fade to some extent when exposed to UV	NEN-EN13501-1 A1 *
Polyamide feet	<ul style="list-style-type: none"> Injection-moulded nylon Adjustable in height and surface 	n.a.	n.a.	1,14 10 ³ kg/m ³	Outdoor & indoor	n.a.	Very good	/
Sunbrella® cushions	<ul style="list-style-type: none"> 100% Sunbrella Acrylic Best outdoor fabric available for making cushions Dirt repellent Not waterproof, store inside! Machine washable at max. 30°C. Ironing restores the protective layer 	0,50	n.a.	260 g/m ²	Outdoor & indoor	The fabric has a water column of 350 mm (EN 20811)	7/8 (ISO 105-B02)	/

NEN-EN13501-1 A1

Class A1 products will not contribute to fire in any stage, including fully developed fire. For this reason, they are assumed to be capable of satisfying all requirements of all lower classes as well.

Good to know

- 55 cm bench space / person.
- The average transport volume is 0,17m³ / person, which is really low.
- Fiberglass reinforced polyester resin material is made with the so-called pultrusion technique. Pultrusion is a non-stop process of pulling fiberglass wires through a bath of polyester resin and letting them harden in a matrix afterwards to get their final shape.
- Main advantages of this material are its strength and low weight.



Floor fastening

Marina picnic comes with an optional floor fastening set. Find more instructions in the manual.



Maintenance

POWDER COATED PARTS

- White powder coating obviously requires more maintenance.

SUNBRELLA

- Shake or brush off loose dirt immediately.
- Spray Extremis Multi Cleaner.
- Use a soft brush and make circular movements.
- Let the suds soak in for a moment.
- Rinse thoroughly to remove all soap residue.
- Simply allow to dry.
- It's also possible to put the blanket and the pillow covers in a washing machine (max 40°C). Follow the cleaning instruction on the label.
- If the cushion has metal brackets, we recommend turning the cover inside out first to avoid damaging the washing machine. In this case, leave the zipper open about 10 cm.

F.A.Q.

Q: What is the biggest size possible?

A: We have produced a 30m table, the only problem is transport. We can deliver tables up to 6m without extra costs.

Q: What about UV-resistance?

A: By adding special additives, the material of the Marina picnic has a much higher UV-resistance than other white synthetics. We don't have to tell you that that white will not stay brilliantly white.

Q: Are the legs corrosion-resistant?

A: The legs are first galvanized, and powder-coated afterwards. This way, we have a double protection layer.

Warnings

General

- Do not use any sharp tools to open the packaging.
- We strongly advise against using power tools.
- Tripping hazard, mind your step.
- Do not put out cigarettes on the table.
- Not graffiti proof.
- Do not leave children unattended whilst playing on the table.
- To avoid danger of suffocation, keep plastic bags away from babies and children.
- Colors can differ over years and from batch to batch.

Product

- Do not drag the table, but carry it with minimum 2 people.
- Anchoring the product has to be done by qualified people.

- For anchoring: use suitable bolts or screws from a specialized store depending on the material your terrace is made of.
- We strongly advise you against standing on top of the table! A concentrated load can cause small perceptible cracks in the profiles that might be visually annoying, although they do not affect the strength of the table in any way.
- For table with 3 legs or more, we recommend using trestles to attach the table leg assemblies to the tabletop, instead of keeping it upside down.

Coated fiberglass

- Do not use abrasive scouring powders or scourers as they will scratch the surface.
- Color can fade to some extent when exposed to UV.
- Dark colors can get very hot in sunny weather.

Powder coating

- White powder coating requires more maintenance.
- Do not use abrasive scouring powders or scourers as they will scratch the surface.
- Color can fade to some extent when exposed to UV.
- Flame retarding - NEN-EN13501-1 A2-sl - Satisfying the same criteria as Class B for the SBI-test according to EN13823. In addition, under conditions of a fully developed fire these products will not significantly contribute to the fire load and fire growth.
- Dark colors can get very hot in sunny weather.

Sunbrella

- Not waterproof, store inside!
- Shake or brush off loose dirt immediately.
- UV color fastness: 7/8 (ISO 105-B02).

The content of this document, in particular the mentioned models, is protected by copyrights and/or design rights. The present document and its content is communicated to you for information purposes only. Any partial or total reproduction or any other use without our prior written permission is strictly prohibited. This technical sheet remains subject to possible changes. **All dimensions are in mm**, unless mentioned otherwise. Extremis is not responsible for the errors in the documentation of products. All measurements are approximate and are provided for informational purposes only.

**Tech
sheet**
20230113